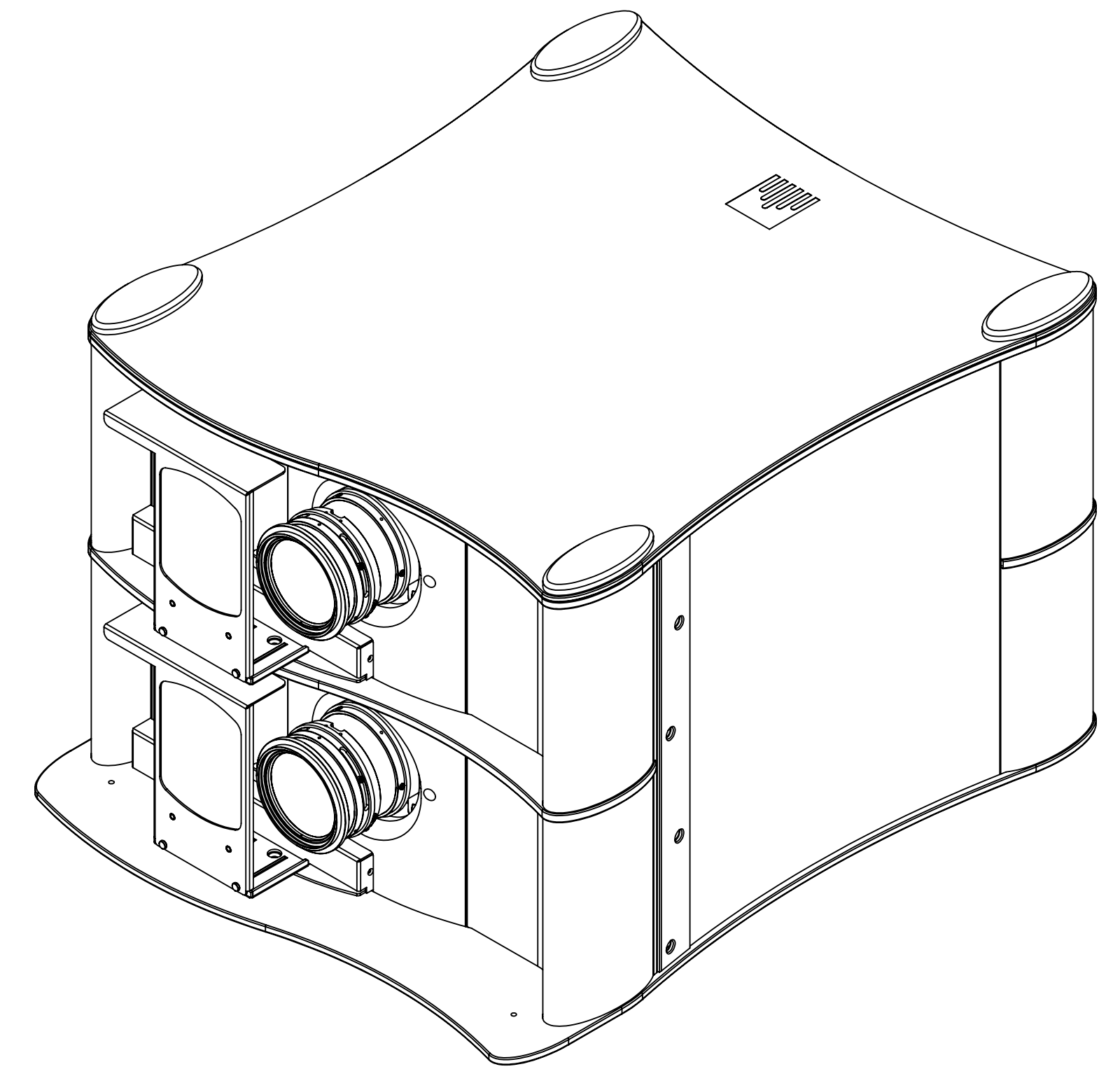
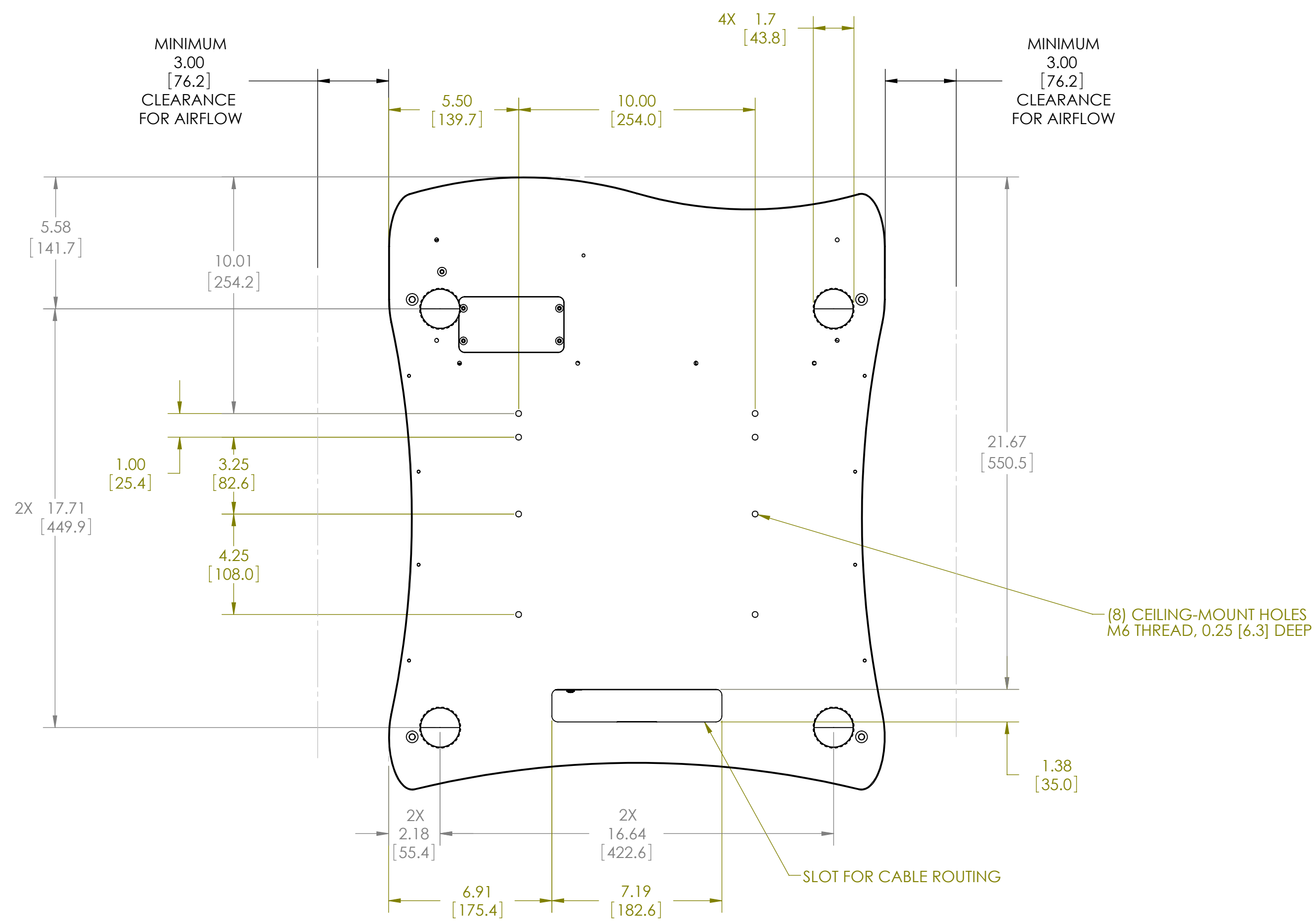
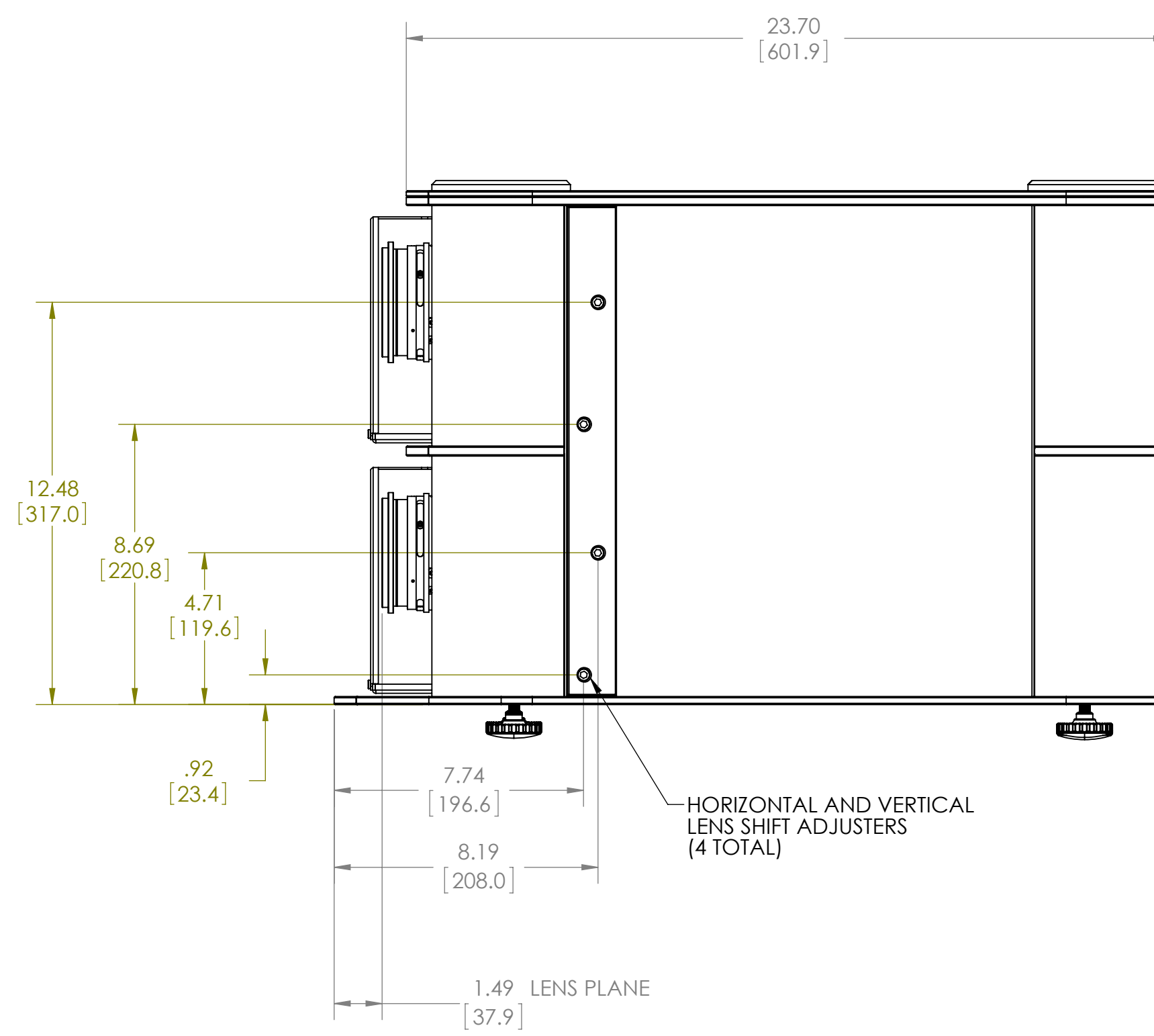
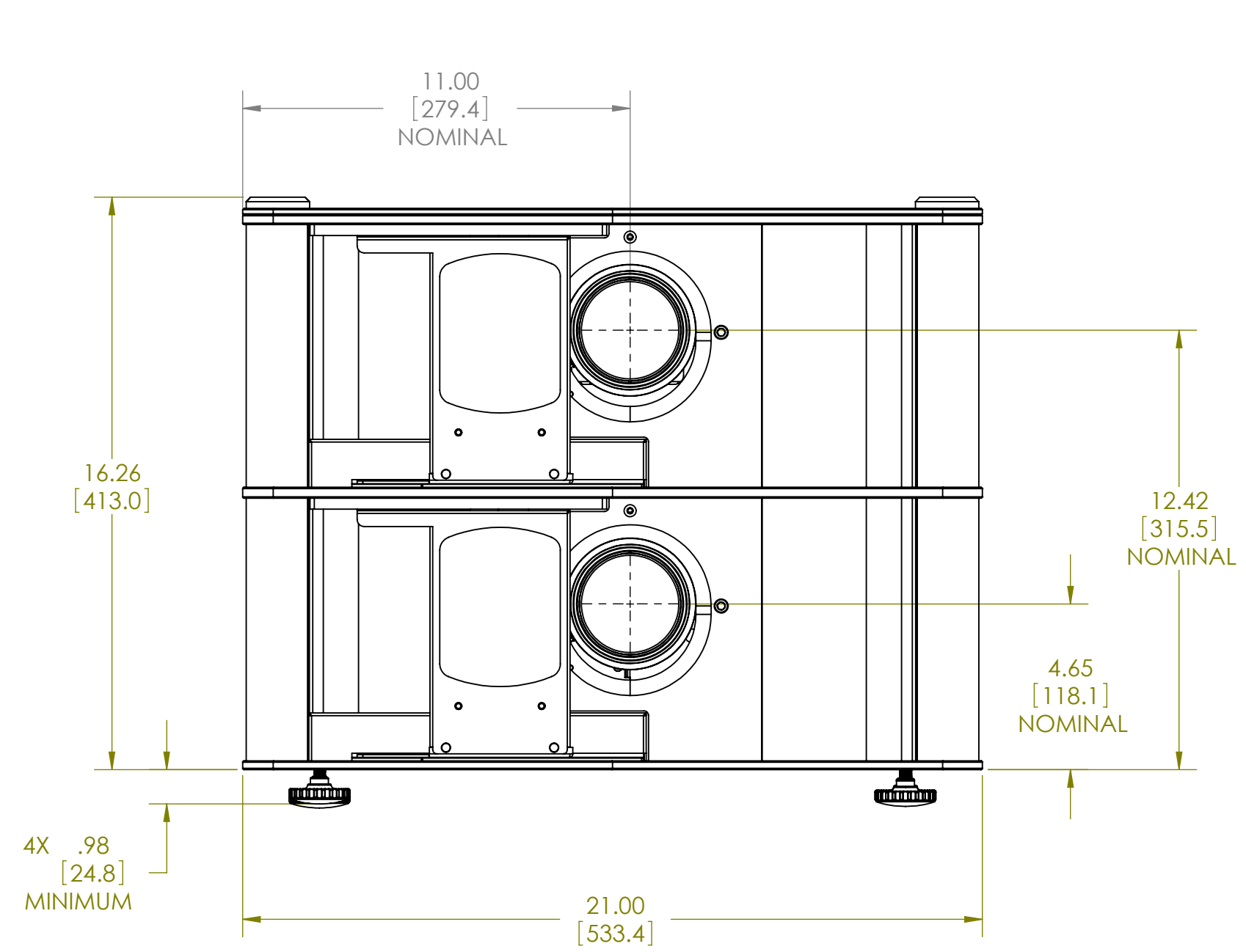


- NOTES:
1. ALL DIMENSIONS IN INCHES [MILLIMETERS]
 2. DIMENSIONS SUBJECT TO CHANGE.



UNLESS OTHERWISE SPECIFIED DIMENSIONS ARE IN INCHES		ENGR BY	P. Williams	12-15-2010	RUNCO INTERNATIONAL 1195 NW COMPTON DRIVE BEAVERTON, OR 97006 USA
TOLERANCES - UNLESS OTHERWISE SPECIFIED		DRAWN BY	P. Williams	07-06-2011	
X= ±.1	XXX= ±.005	CHECKED BY			D-73d Ultra Overall Dimensions
XX= ±.01	ANGLES= ±1°	USED ON	RUNCO D-73D		
DIMENSIONING AND TOLERANCING PER ASME Y14.5M-1994		MATERIAL			SIZE: D SCALE: 1:4 PART NUMBER: D-73d_Overall_Dimensions SHEET: 1 OF 1
THIRD ANGLE PROJECTION		FINISH			REV: A DO NOT SCALE

THIS DRAWING CONTAINS INFORMATION PROPRIETARY TO PLANAR SYSTEMS, INC. ANY REPRODUCTION IN PART OR WHOLE WITHOUT THE WRITTEN PERMISSION OF PLANAR SYSTEMS IS PROHIBITED. THIS DRAWING IS SUPPLIED FOR INFORMATION, IDENTIFICATION, ENGINEERING, EVALUATION, AND/OR INSPECTION PURPOSES ONLY AND MAY NOT BE USED AS A BASIS FOR THE MANUFACTURING OF PRODUCTS OR THE FURNISHING OF SERVICES TO PLANAR SYSTEMS OR TO ANY THIRD PARTY UNLESS AUTHORIZED IN WRITING BY PLANAR SYSTEMS.