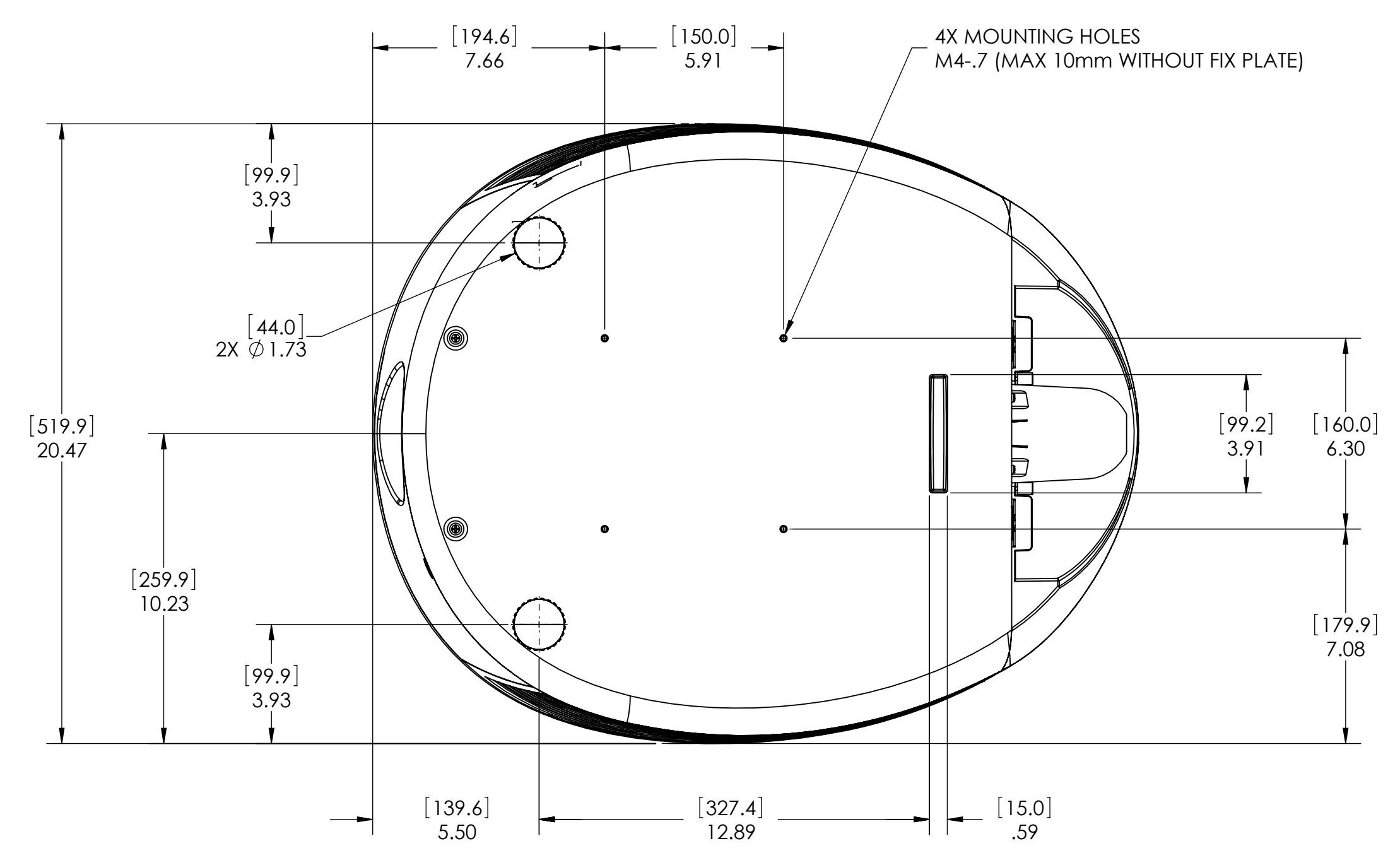
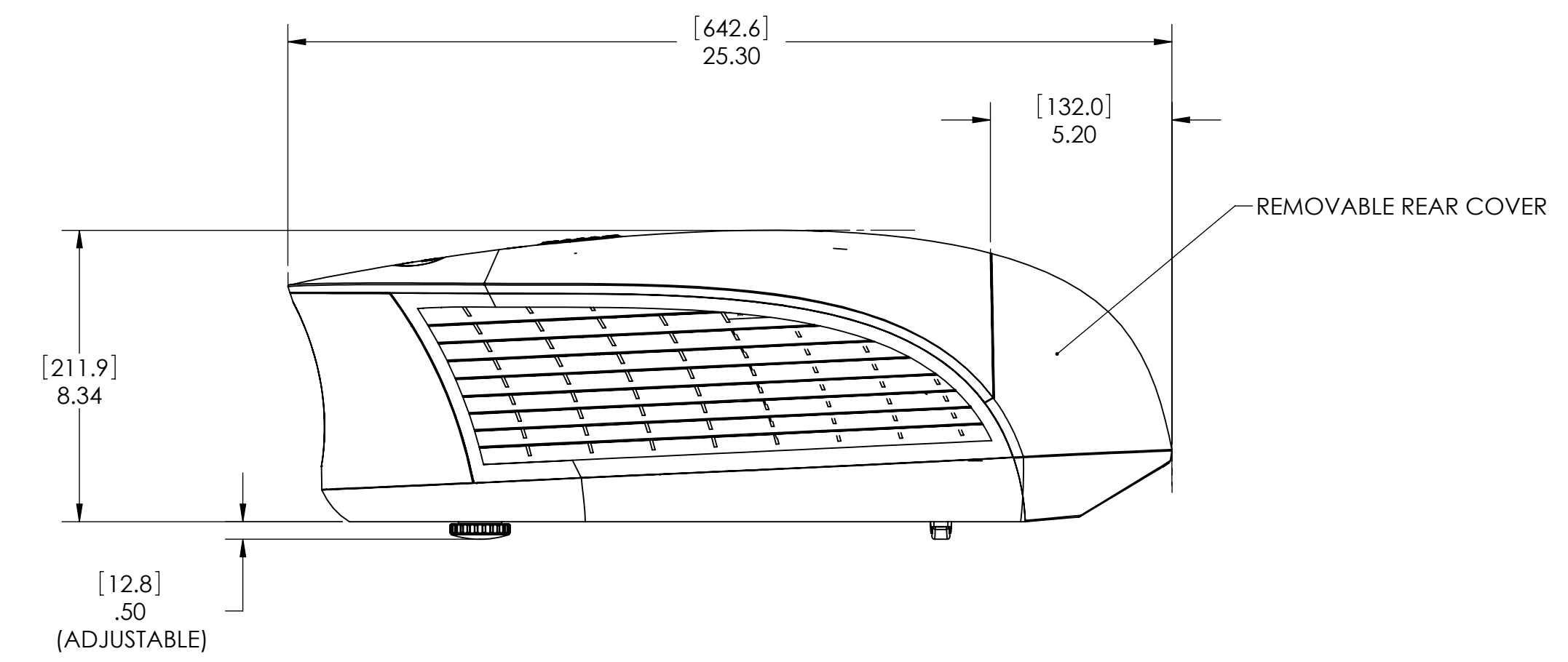
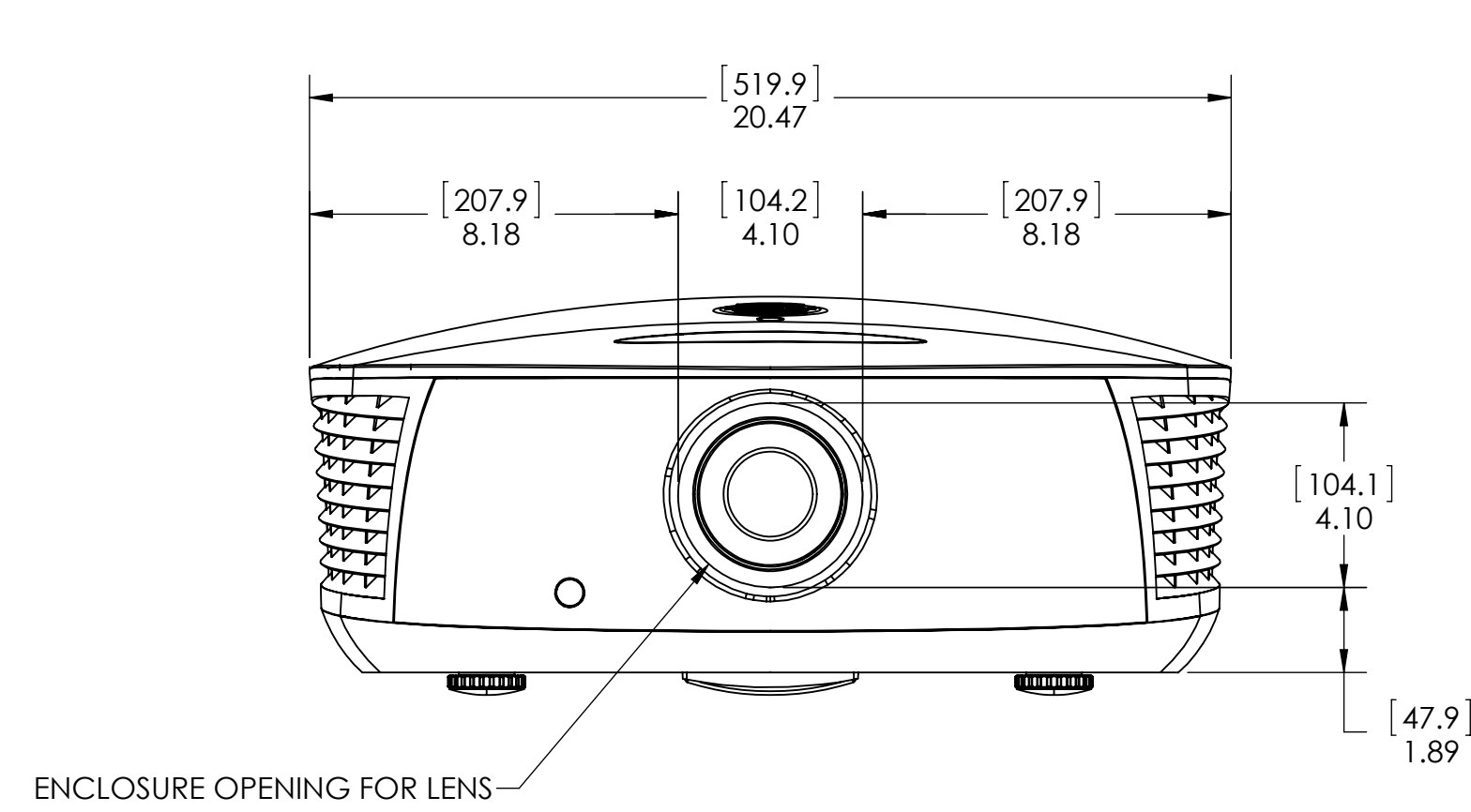


NOTES:

1. ALL DIMENSIONS ARE INCHES [MILLIMETERS], AND ARE FOR REFERENCE ONLY.

REVISIONS					
ECO	ZONE	REV.	DESCRIPTION	DATE	APPROVED
		A	INITIAL RELEASE	05/05/2010	PW
		B	ADDED FRONT VIEW WITH LENS OPENING DIMENSIONS	11/9/2011	GC
		C	CHANGED TITLE OF DRAWING TO INCLUDE LS-12	3/2/2012	GC



UNLESS OTHERWISE SPECIFIED DIMENSIONS ARE IN INCHES [MILLIMETERS]		ENGR BY HC	10/13/2009	<p>RUNCO INTERNATIONAL 1195 NW COMPTON DRIVE BEAVERTON, OR 97006 USA</p>
		DRAWN BY P. WILLIAMS	05/05/2010	
		CHECKED BY P. WILLIAMS	09/10/2010	
DIMENSIONING AND TOLERANCING PER ASME Y14.5M-1994		USED ON LS-10 AND LS-12	MATERIAL	TITLE OVERALL DIMENSIONS, LS-10/LS-12
THIRD ANGLE PROJECTION		FINISH	SCALE 1:4	DO NOT SCALE
SIZE D	PART NUMBER	DRAWING NUMBER	REV C	SHEET 1 OF 1