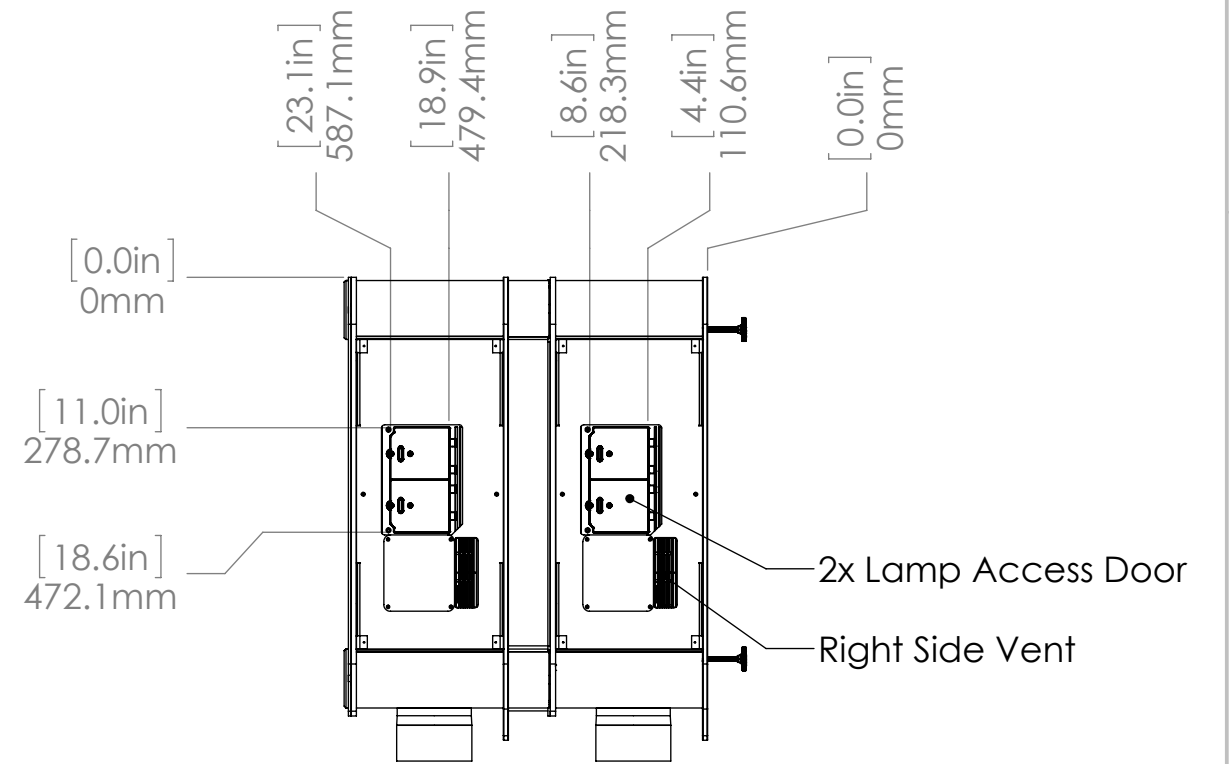
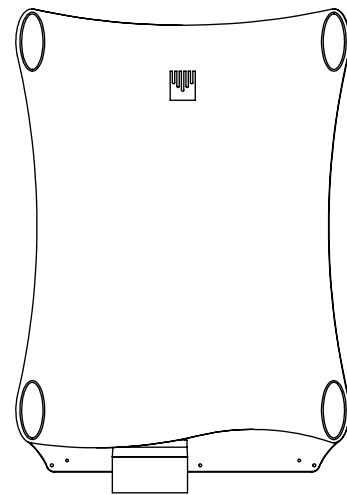
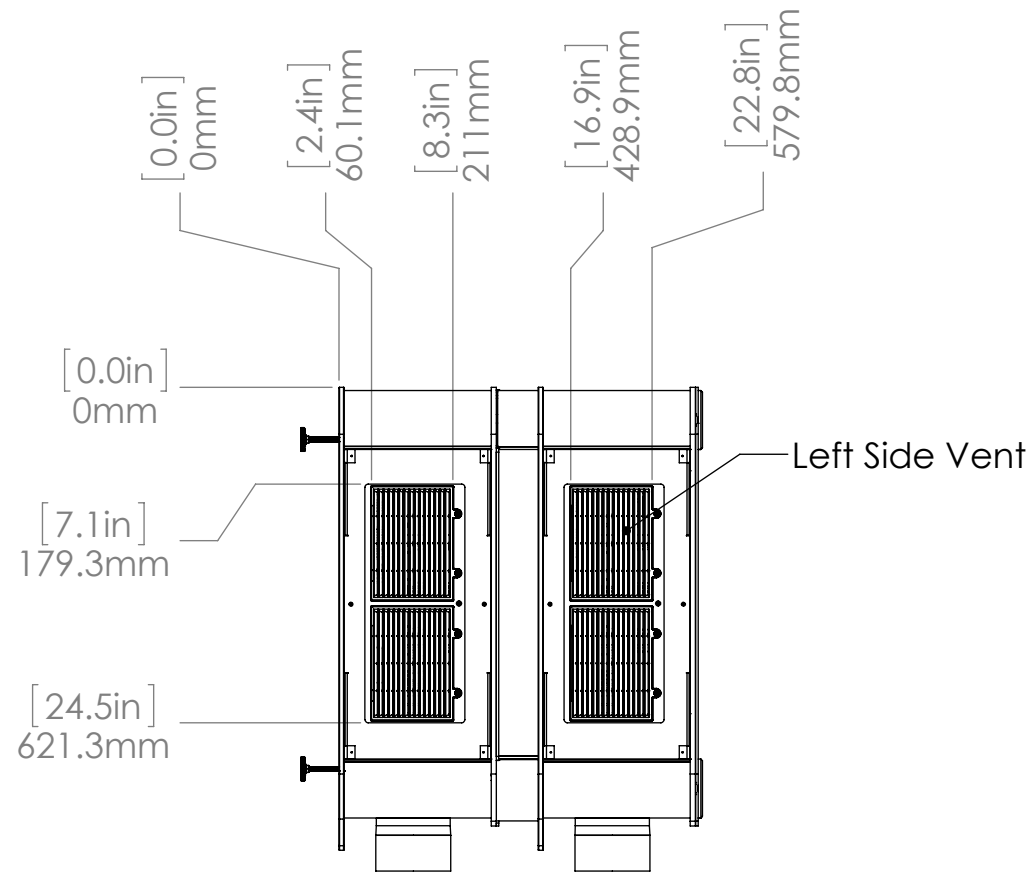
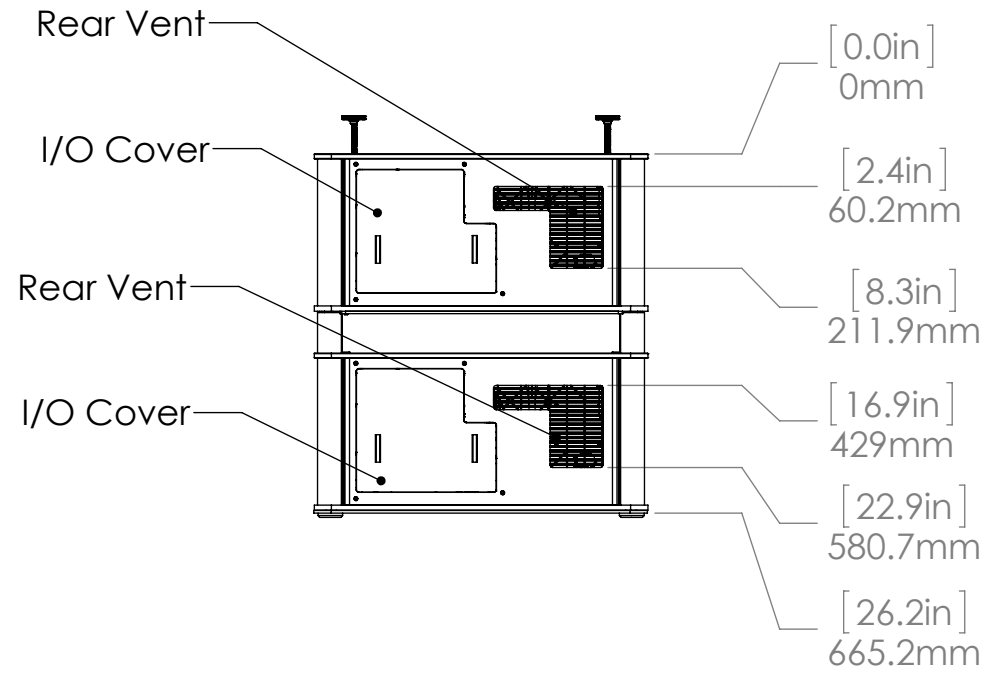


**RUNCO**  
1195 NW COMPTON DRIVE  
BEAVERTON, OR 97006 USA

TITLE  
**D-113d - Overall Dimensions**

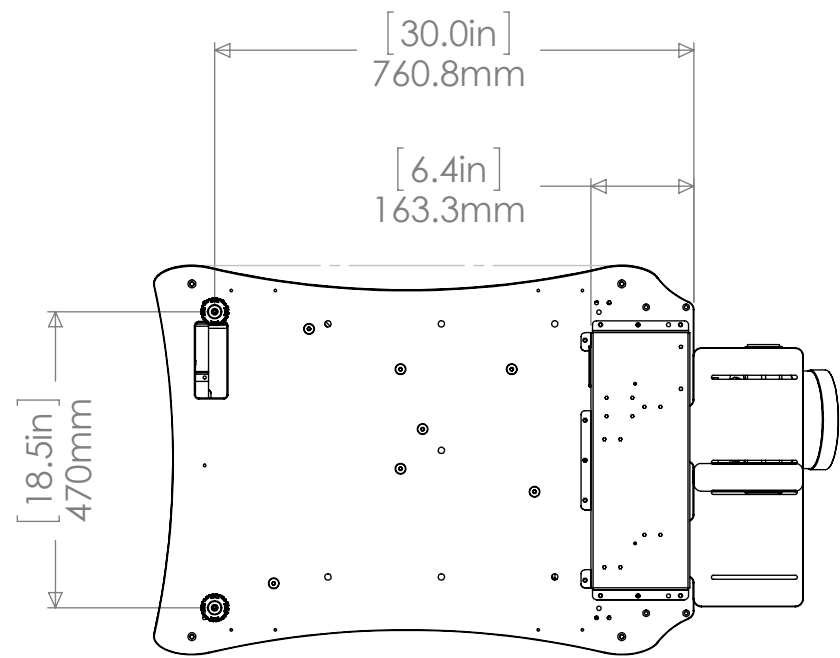
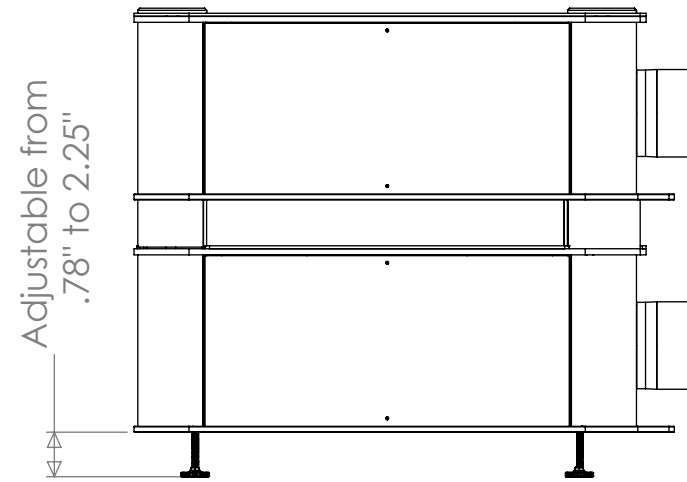
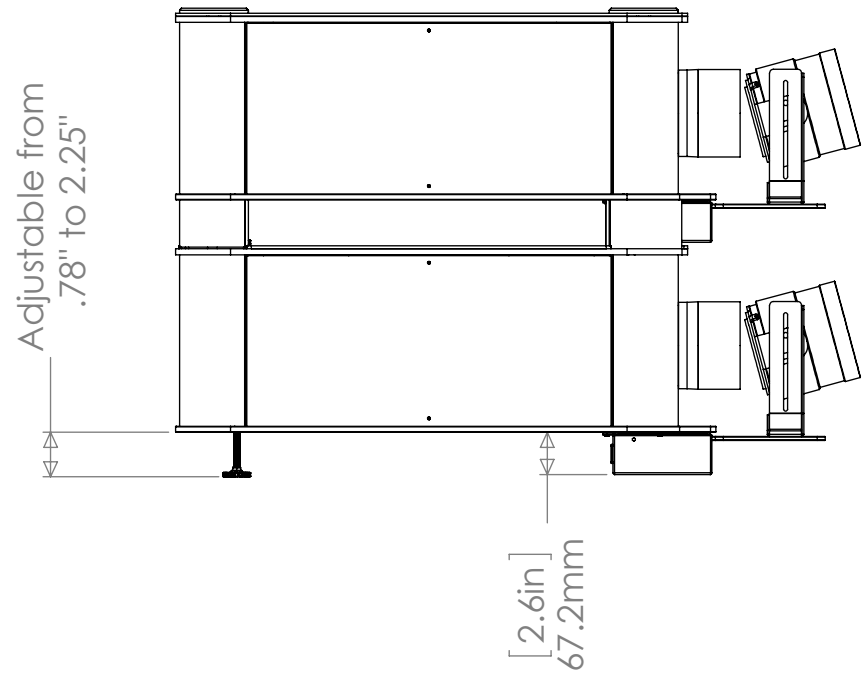
SIZE <b>B</b>	PART NUMBER	DRAWING NUMBER <b>D-113d</b>	REV
SCALE 1:16	DO NOT SCALE		SHEET 1 OF 4



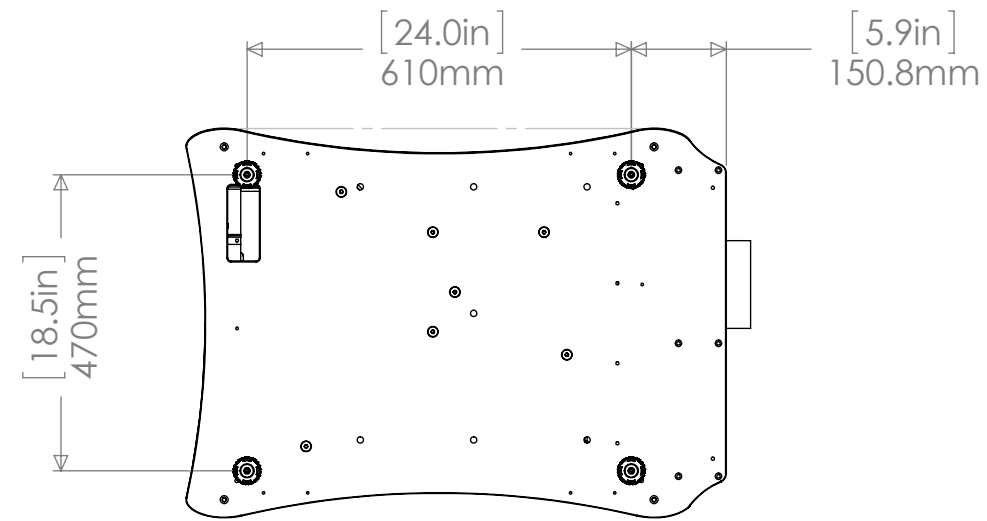
Note: Perf side panels are removed to show vent locations.

**RUNCO**  
 1195 NW COMPTON DRIVE  
 BEAVERTON, OR 97006 USA

TITLE			
<b>D-113d - Vent Locations</b>			
SIZE	PART NUMBER	DRAWING NUMBER	REV
<b>B</b>		<b>D-113d</b>	
SCALE	DO NOT SCALE		SHEET
1:14			2 OF 4



**Foot Locations  
With Autoscope**

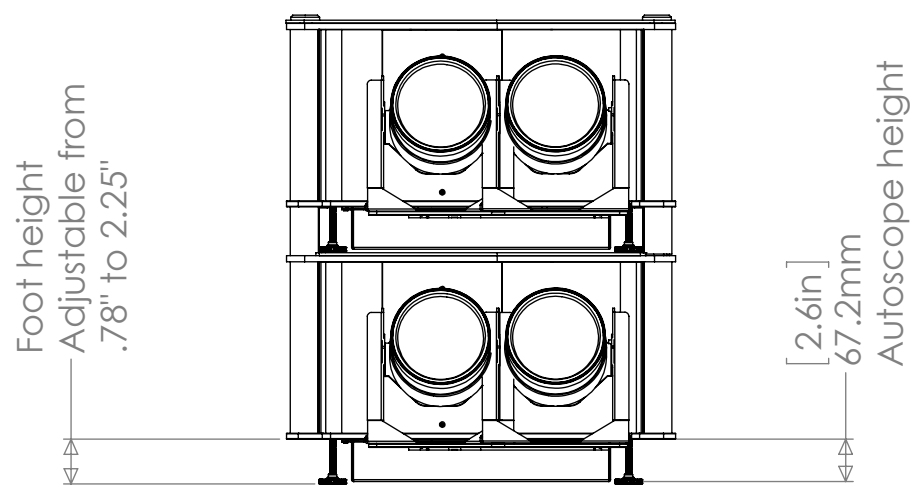
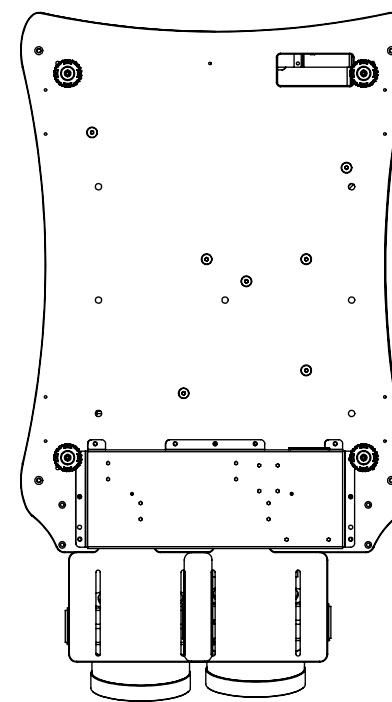
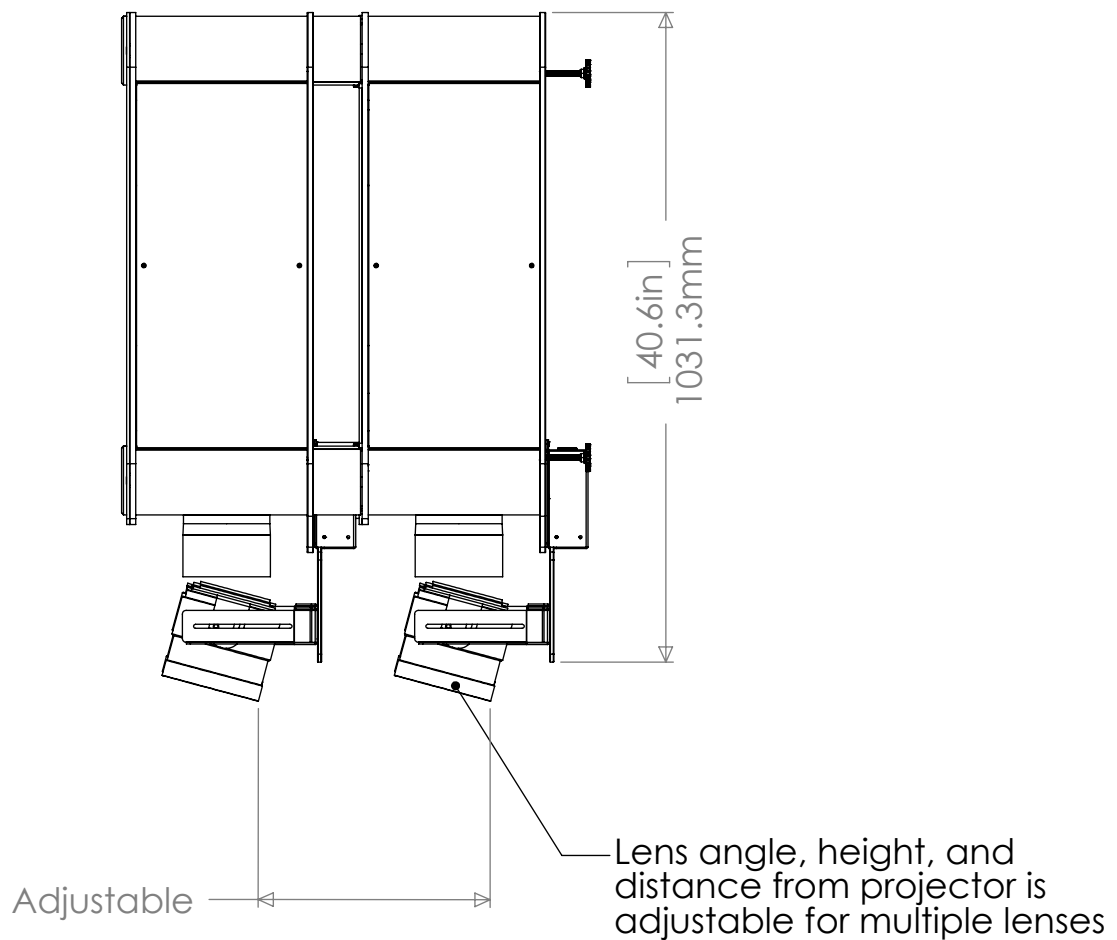
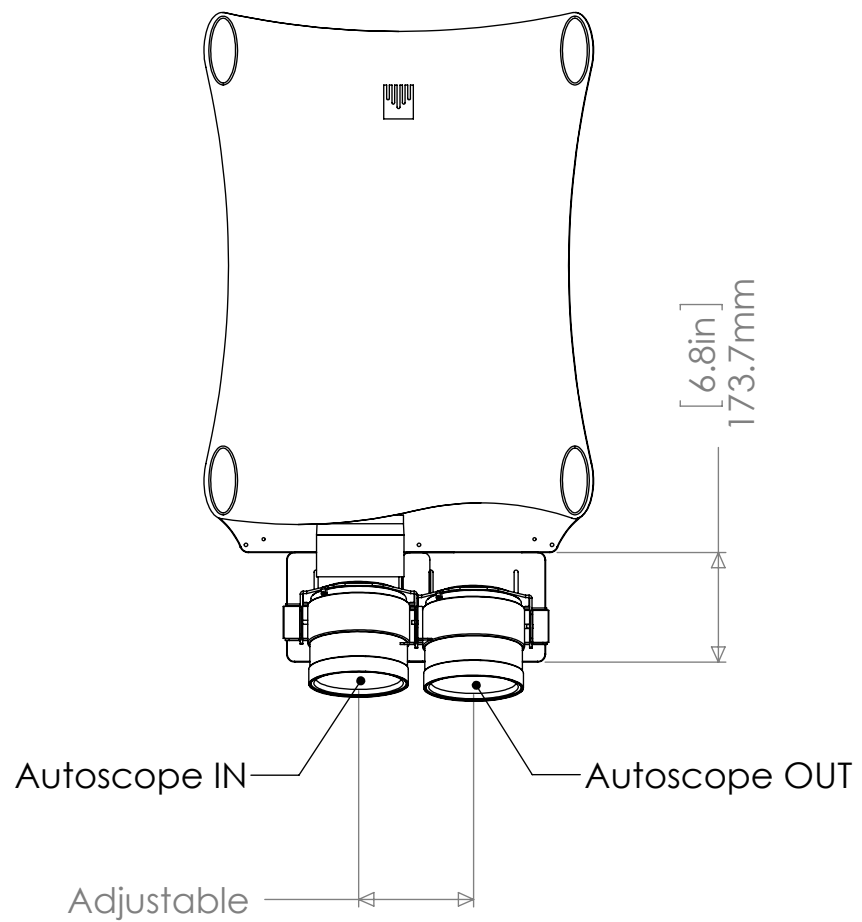


**Foot Locations  
Without Autoscope**

**RUNCO**  
1195 NW COMPTON DRIVE  
BEAVERTON, OR 97006 USA

TITLE  
**D-113d - Foot Locations**

SIZE <b>B</b>	PART NUMBER	DRAWING NUMBER <b>D-113d</b>	REV
SCALE 1:12	DO NOT SCALE		SHEET 3 OF 4



THIS DRAWING CONTAINS INFORMATION PROPRIETARY TO PLANAR SYSTEMS, INC. ANY REPRODUCTION IN PART OR WHOLE WITHOUT THE WRITTEN PERMISSION OF PLANAR SYSTEMS IS PROHIBITED. THIS DRAWING IS SUPPLIED FOR INFORMATION, IDENTIFICATION, ENGINEERING, EVALUATION, AND/OR INSPECTION PURPOSES ONLY AND MAY NOT BE USED AS BASIS FOR THE MANUFACTURING OF PRODUCTS OR THE FURNISHING OF SERVICES TO PLANAR SYSTEMS OR TO ANY THIRD PARTY UNLESS AUTHORIZED IN WRITING BY PLANAR SYSTEMS.

<p><b>RUNCO</b> 1195 NW COMPTON DRIVE BEAVERTON, OR 97006 USA</p>			
<p>TITLE <b>D-113d - Autoscope Dimensions</b></p>			
SIZE <b>B</b>	PART NUMBER	DRAWING NUMBER <b>D-113d</b>	REV
SCALE 1:12	DO NOT SCALE		SHEET 4 OF 4