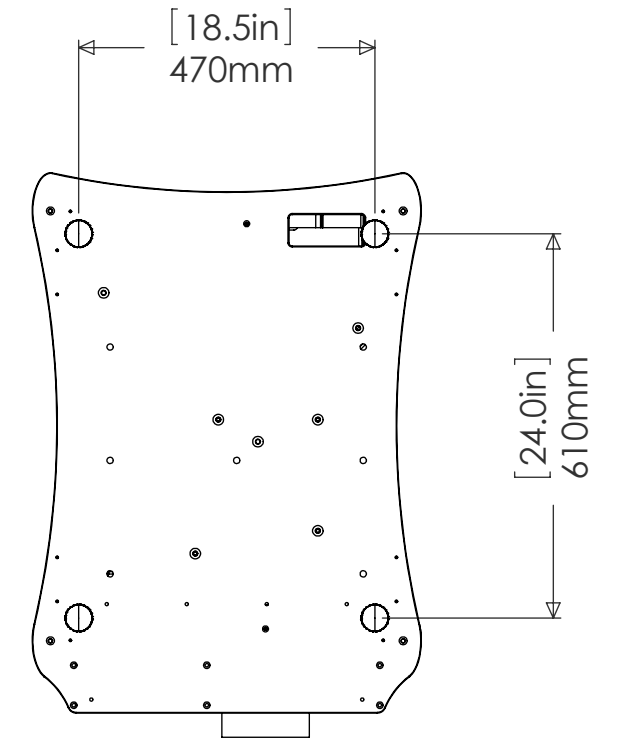


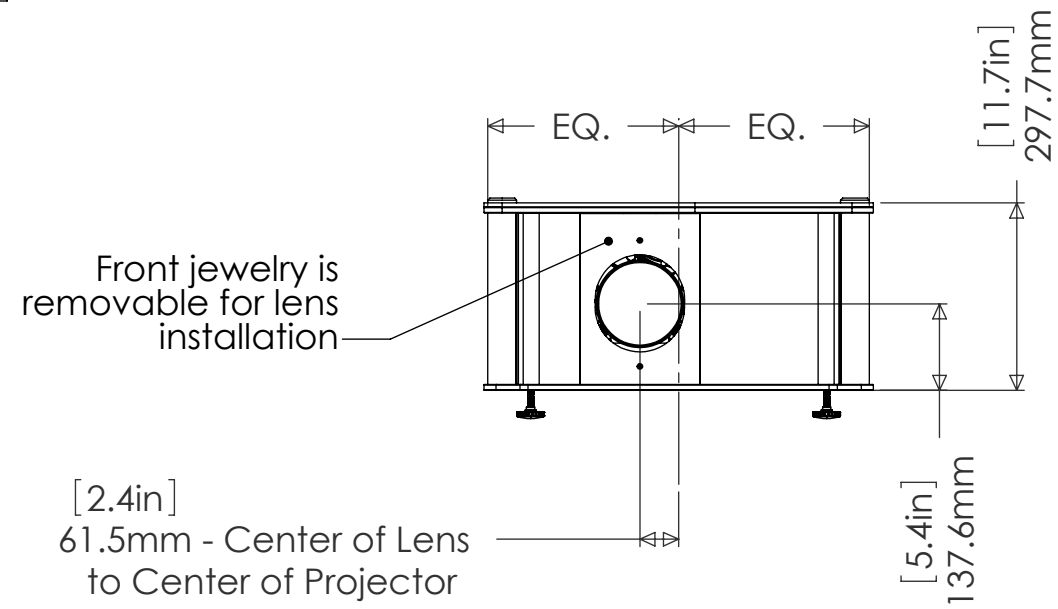
[12.0in]
305.3mm
With Caps

[11.7in]
297.4mm
Without Caps



Perf side panel
is removable
to access lamps

Feet are adjustable
from .78" to 2.25"



RUNCO
1195 NW COMPTON DRIVE
BEAVERTON, OR 97006 USA

TITLE
SC-50d/SC-60d - Overall Dimensions

SIZE	PART NUMBER	DRAWING NUMBER	REV
B		SC-50d - SC-60d	
SCALE	1:12	DO NOT SCALE	SHEET 1 OF 6